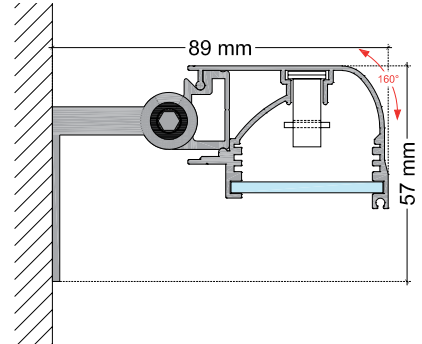
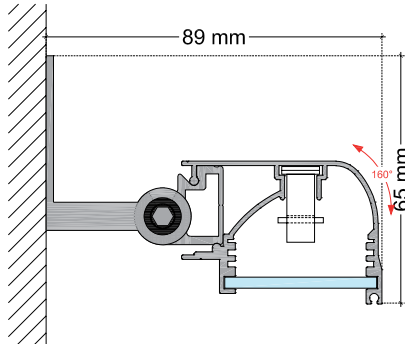


TECHNICAL DATA SHEET

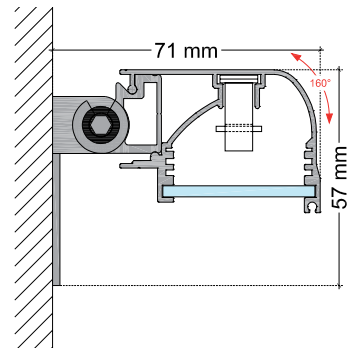
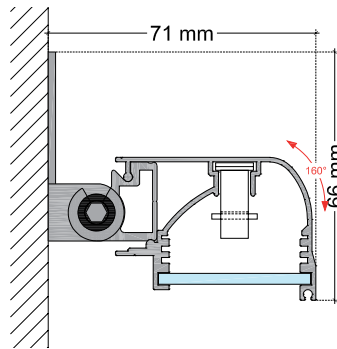
LL3AL + FLP SERIES

VERSION - 04.03.2015

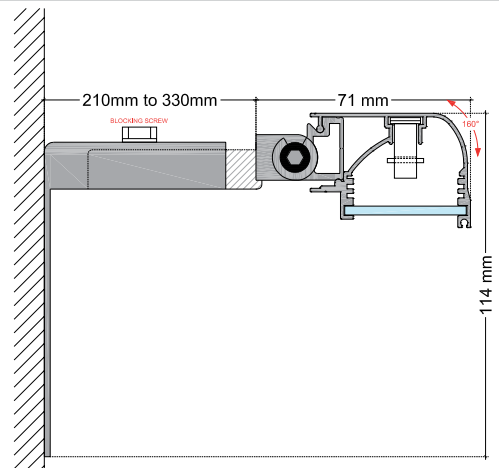
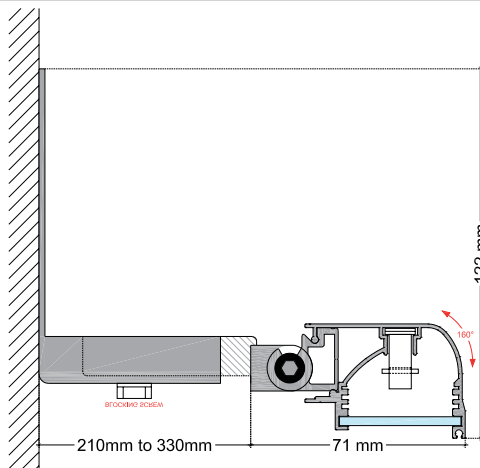
FLP1



FLP1C



FLP2



AGABEKOV



AGABEKOV SA Manufacture 6, ROUTE DE COMPOIS
CH-1222 VÉSENAZ - GENEVA - SWITZERLAND
Tel. +41 22 752 47 45 Fax. +41 22 752 37 08
E - mail: info@agabekov.com



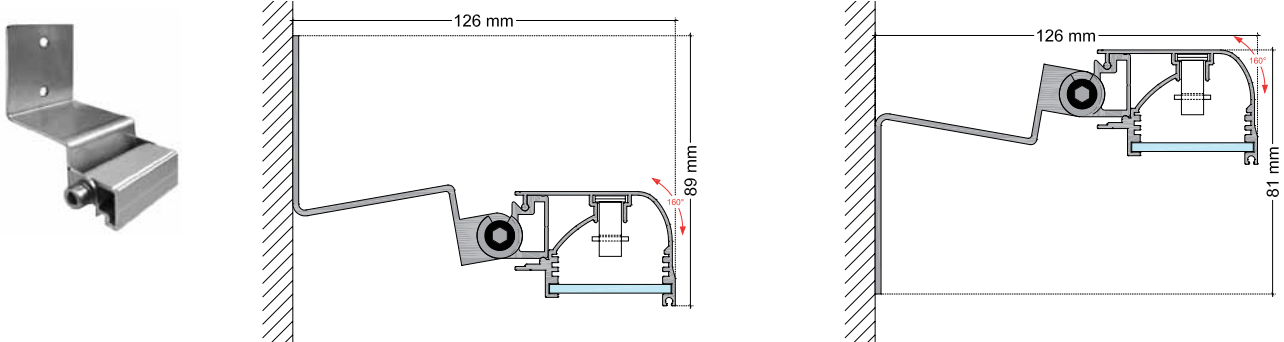
AGABEKOV SA Bureau d'etudes 6, ROUTE DE COMPOIS
CH-1222 VÉSENAZ - GENEVA - SWITZERLAND
Tel. +41 22 752 47 45 Fax. +41 22 752 37 08
Internet: www.agabekov.com



TECHNICAL DATA SHEET
LL3AL + FLP SERIES

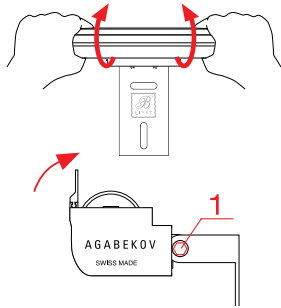
VERSION - 04.03.2015

FLP3



To unclip and clip the luminaire, lock the 'imbus' screw (1) and tilt the luminaire as shown on the drawings.

CLIP



UNCLIP

