

TECHNICAL DATA SHEET

LU3RSAL IP20 + ALRS Orientable Spot & Aga-Led® Type B

VERSION - 05.01.2017

STANDARD LUMINAIRE

Reference	LU3RSAL + ARLS
Protection Class	IP20
Lighting Source 1	Aga-Led® BUR for ARLS
Lighting Source 2	Aga-Led® Type B
Connector	Festoon on B'Light conductor 16mm ²
Dimensions	52 x 52mm
Length on measure	on request up to 3000mm
Voltage	12V - 24V
Power	0.96W to 1.2W/Aga-Led® Type B 1.8W/Aga-Led® BUR
Connecting Cable	1m standard cable 2x1.5mm ²
Cover	Metal: CFP1 Combined
End Cpas	EPA

FINISH

Color Finishing Profil

Standard	Natural Anodised Aluminium
On request	Thermo-Enameling Powder Coating RAL Color Anodising Polished Aluminium Chrome Aspect Polished Aluminium Gold Aspect

ON REQUEST

Connecting Plug	AMS / AF
Dimmable	12V Only (1-10V, Dali, KNX) Ask technical department for more information

LIGHTING SOURCE

Lighting Source 1	Aga-Led® BUR for ARLS Spot
Ref	BUR_14
Voltage	24V (12V Dimmable)
Power	1.8W
Beam Angle	14°
CRI	80
Lifetime	50'000h
Working T°	-20°C ~ +40°C



Color Temperature & Luminous Flux / Unit

	2200K	4000K
Aga-Led® BUR	74 lm	114 lm

Lighting Source 2

Lighting Source 2	Aga-Led® Type B - Generation 2	
Ref	B3	B6
Power	0.96W	1.2W
Voltage	24V	24V
Beam Angle	120°	120°
CRI	80	80
Lifetime	50'000h	
Working T°	-20°C to +45°C	

Environmental protection Modified acrylate resin

Color Temperature & Luminous Flux / Unit

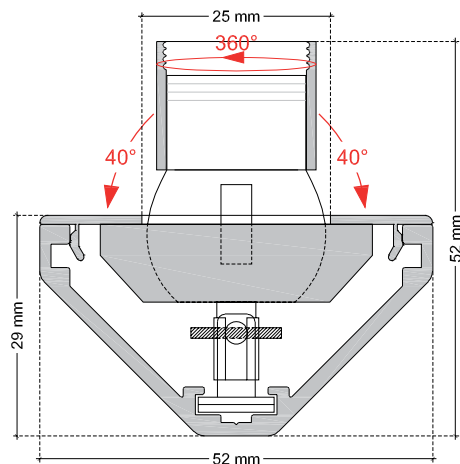
	2200K	2400K	2700K	3000K	4000K
Aga-Led® B3-G2	-	97 lm	137lm	137lm	137lm
Aga-Led® B6-G2	129 lm	140 lm	166 lm	166 lm	166 lm

APPLICATION: museums, showcases, private collections

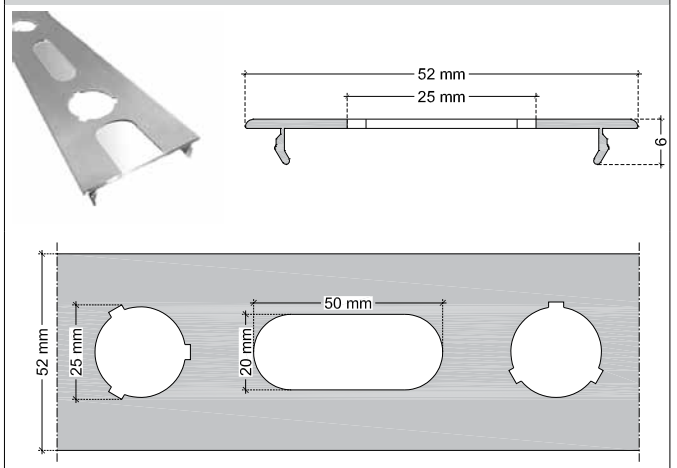
Multifunctional diffusion and spot light
all in 1



LU3RSAL / Aga-Led® Type B + ARLS Spot with Aga-Led® BUR



LU3RSAL Cover : CFP1 Combined



CERTIFICAT

