

TECHNICAL DATA SHEET

LU5AL IP20 / Aga-Led® Type B

VERSION - 16.12.2016

STANDARD LUMINAIRE

Reference	LU5AL
Protection Class	IP20
Lighting Source	Aga-Led® Type B
Connector	Rigid Loop on B'Light conductor 16mm ²
Dimensions	48 x 37mm
Standard Length	330 - 670 - 1000 - 1330 - 2000 - 2330 - 2670mm
Length on measure	on request up to 3000mm
Nb Lighting Unit	17 LED/m
Voltage	24V
Power	16.32 W/m to 20.4 W/m
Connecting Cable	1m standard cable 2x1.5mm ²

FINISH

Color Finishing Profil

Standard	Natural Anodised Aluminium
On request	Thermo-Enameling
	Powder Coating RAL
	Color Anodising
	Polished Aluminium Chrome Aspect
	Polished Aluminium Gold Aspect

ON REQUEST

Cover	VAS: Clear Glass / VOS: Opaline Glass VAT: Clear Glass / VAO: Opaline Glass
Grid	GTC - GTD : Simple or Double Transverse Grid
End Caps	ECM
Connecting Plug	AMS / AF
Dimming Option	1-10V, Dali, KNX <i>Ask technical departement for more information</i>

LIGHTING SOURCE

Lighting Source	Aga-Led® Type B - Generation 2	
Ref	B3	B6
Power	0.96W	1.2W
Voltage	24V	24V
Beam Angle	120°	120°
CRI	80	80
Lifetime	50'000h	
Working T°	-20°C to +45°C	
Environmental protection	Modified acrylate resin	

Color Temperature & Luminous Flux / Unit

	2200K	2400K	2700K	3000K	4000K
Aga-Led® B3-G2	-	97 lm	137lm	137lm	137lm
Aga-Led® B6-G2	129 lm	140 lm	166 lm	166 lm	166 lm

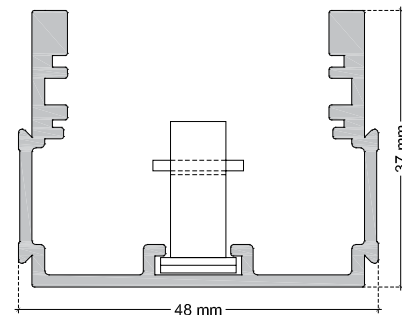
CERTIFICAT



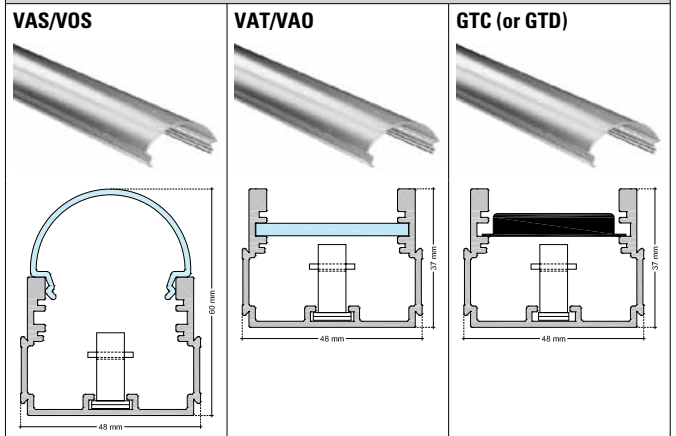
APPLICATION: Walls, Frescoes



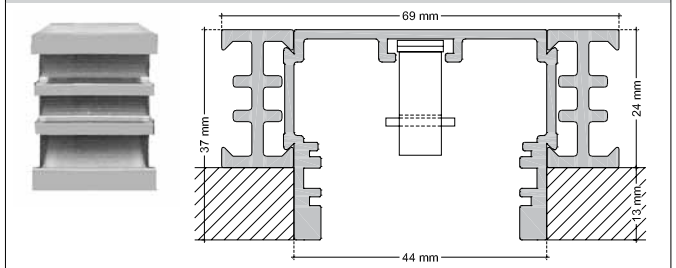
LU5AL / AGA-LED® TYPE B - Rigid Loop



LU5AL Cover or Grid



ON REQUEST: LU5 Fixation for false ceiling



ON REQUEST : Connecting plug AF/AMS

