

TECHNICAL DATA SHEET

TMTAL IP65 / Aga-Led® Type B

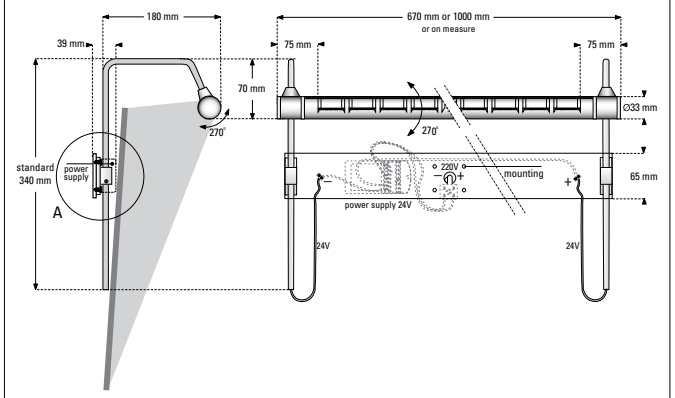
VERSION - 13.11.2017

STANDARD LUMINAIRE

Reference	TMTAL
Protection Class	IP65
Lighting Source	Aga-Led® Type B
Connector	Rigid Loop on B'Light conductor 16mm ²
Dimensions	340 x 180mm
Standard Length	670 - 1000mm
Length on measure	up to 3035mm
Nb Lighting Source	16 LED/m
Voltage	24V
Power	15.36W/m to 19.2W/m
Connecting Cable	Both tige : 1m standard cable 2x1.5mm ²
Fixation	2 x(TIGE-8mm + BFTV-8mm)/m + Plexiglass
Cover	VFC (Clear Glass)
End Caps	EPR190

APPLICATION: PICTURE LIGHTING

TMTAL - Aga Led Type B



FINISH

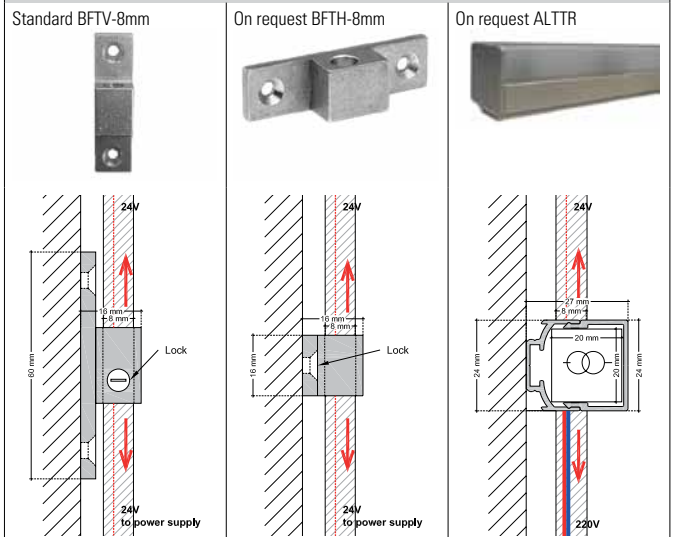
Color Finishing Profil

Standard	Natural Anodised Aluminium
On request	Thermo-Enameling Powder Coating RAL Color Anodising Polished Aluminium Chrome Aspect Polished Aluminium Gold Aspect

ON REQUEST

Fixation	BFTH-8mm ALTR - Power Supply included
Medium Support	FCT (distance > 1500mm)
Cover	VFO (Opaline Glass)
Front Visor	VAE (Not possible with Cover)
Dimming Option	1-10V, Dali, KNX Ask technical department for more information

FIXATION - (Detail A)



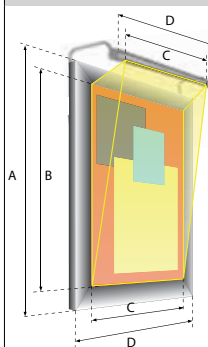
LIGHTING SOURCE

Lighting Source	Aga-Led® Type B - Generation 2	
Ref	B3	B6
Power	0.96W	1.2W
Voltage	24V	24V
Beam Angle	120°	120°
CRI	80	80
Lifetime	50'000h	
Working T°	-20°C to +45°C	
Environmental protection	Modified acrylate resin	

Color Temperature & Luminous Flux / Unit

	2200K	2400K	2700K	3000K	4000K
Aga-Led® B3-G2	--	97 lm	137lm	137lm	137lm
Aga-Led® B6-G2	129 lm	140 lm	166 lm	166 lm	166 lm

HOW TO ORDER



Les mesures **B** et **C** correspondent à la zone d'éclairage
 Maß **B** und **C** entspricht dem Leuchtbereich
 Measurements **B** and **C** are those of the lit area

Les mesures **A** et **D** correspondent à la dimension externe
 du cadre Maß **A** und **D** entspricht der Außenabmessung
 des Rahmens
 Measurements **A** and **D** are the dimensions of the outside
 of the frame

CERTIFICAT



AGABEKOV