

TECHNICAL DATA SHEET

LLNAL IP65 / Aga-Led® Type B

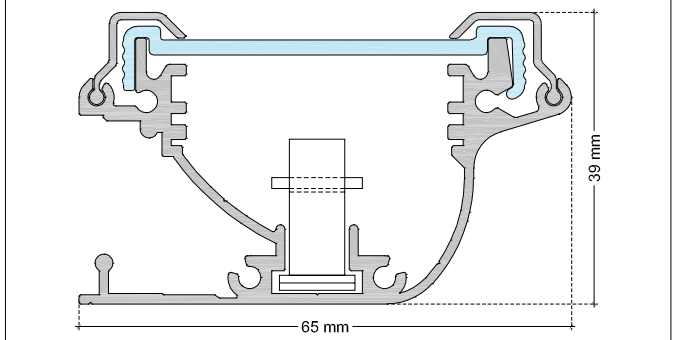
VERSION - 11.03.2015

STANDARD LUMINAIRE

Reference	LLNAL
Protection Class	IP65
Lighting Source	Aga-Led® Type B
Connector	Rigid Loop
Size - mm	53 x 38
Length on measure	110mm to 2970mm
Nb Lighting Source	17 LED/m
Voltage	24V
Power	20.4 W/m
Connecting Cable	Both side: 20cm standard cable 2x2.5mm ²
Cover	VP (Clear Glass)
End Caps	EV



LLNAL / AGA-LED® TYPE B - Rigid Loop



FINISH

Color Finishing Profil

Standard	Natural Anodised Aluminium
On request	Thermo-enameling Power Coating RAL Color Anodising Chromium or Gold plating

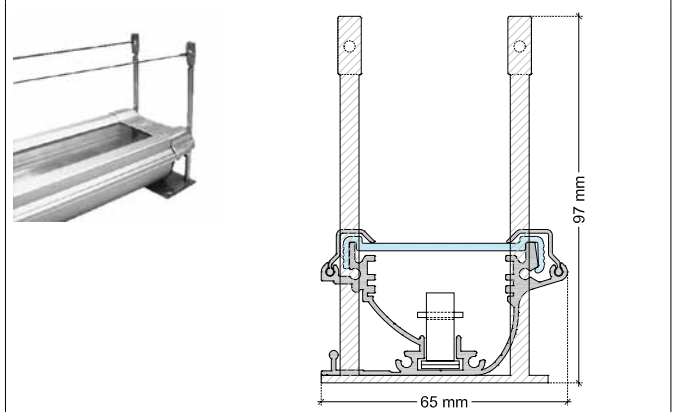
ON REQUEST

Fixation	FLP Series
Cover	VPO (Opaline Glass)
Grid	GLA / GLB GTC / GTD
Other	AP : Anti-Pigeon Protection (Ht: +58mm)
Dimmable	YES (1-10V, Dali, DMX, KNX) <i>Ask technical departement for more information</i>

LIGHTING SOURCE

Lighting Source	Aga-Led® Type B - Generation 2			
Ref	B2	B3	B4	B6
Voltage	24V	24V	24V	24V
Power	1.2W	0.96W	1.2W	1.2W
Beam Angle	120°	120°	120°	120°
CRI	80	80	80	80
Light Output - lm/Unit				
2000K	40 ~ 68	40 ~ 82	46 ~ 78	70 ~ 118
2400K	48 ~ 81	58 ~ 97	55 ~ 93	83 ~ 140
2800K	68 ~ 114	82 ~ 137	66 ~ 111	99 ~ 166
4000K	68 ~ 114	82 ~ 137	66 ~ 111	99 ~ 166
Lifetime at 25°	50'000h			
L70 at 25°	36'000h			
Working T°	-20°C ~ +40°C			
Moisture resistant	due to conformal silicone coated			

LLNAL + AP



CERTIFICAT



AGABEKOV



AGABEKOV SA Manufacture 6, ROUTE DE COMPOIS
CH-1222 VÉSENAZ - GENEVA - SWITZERLAND
Tel. +41 22 752 47 45 Fax. +41 22 752 37 08
E - mail: info@aaabekov.com



AGABEKOV SA Bureau d'etudes 6, ROUTE DE COMPOIS
CH-1222 VÉSENAZ - GENEVA - SWITZERLAND
Tel. +41 22 752 47 45 Fax. +41 22 752 37 08
Internet: www.aaabekov.com

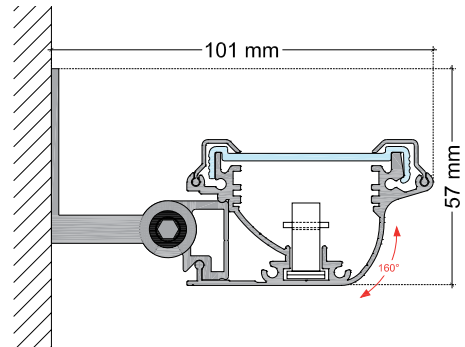
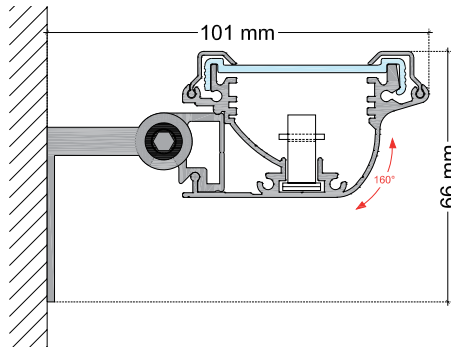


TECHNICAL DATA SHEET

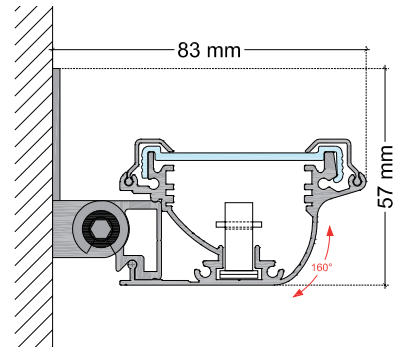
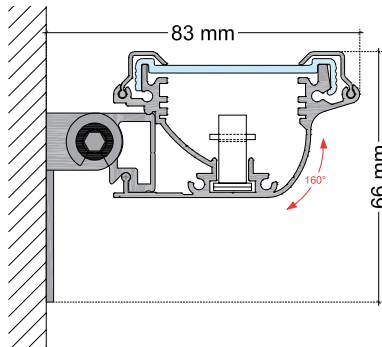
LLNAL + FLP SERIES

VERSION - 04.03.2015

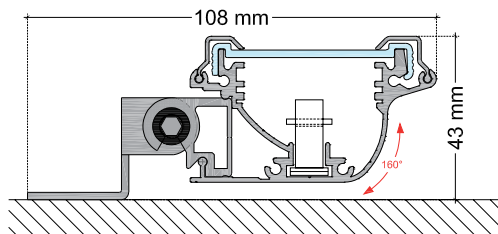
FLP1



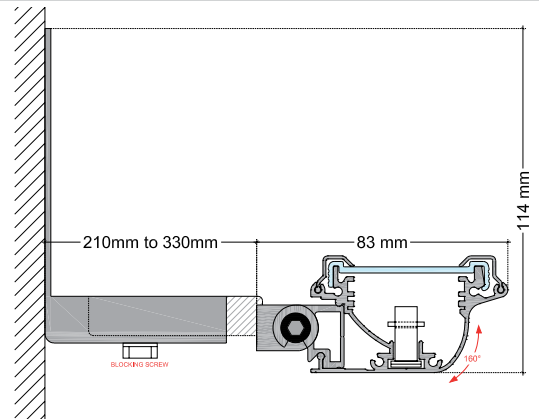
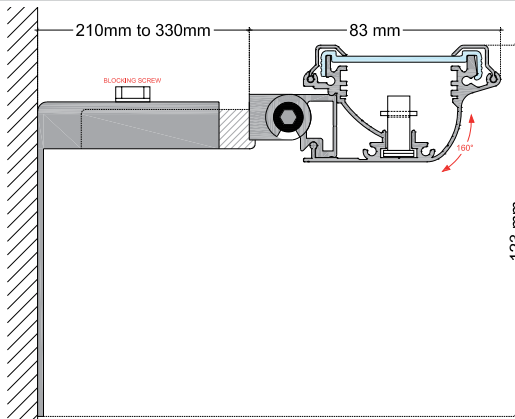
FLP1C



FLPF



FLP2



AGABEKOV



AGABEKOV SA Manufacture 6, ROUTE DE COMPOIS
CH-1222 VÉSENAZ - GENEVA - SWITZERLAND
Tel. +41 22 752 47 45 Fax. +41 22 752 37 08
E - mail: info@agabekov.com



AGABEKOV SA Bureau d'etudes 6, ROUTE DE COMPOIS
CH-1222 VÉSENAZ - GENEVA - SWITZERLAND
Tel. +41 22 752 47 45 Fax. +41 22 752 37 08
Internet: www.agabekov.com

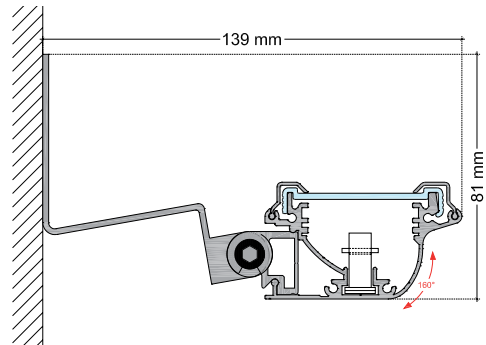
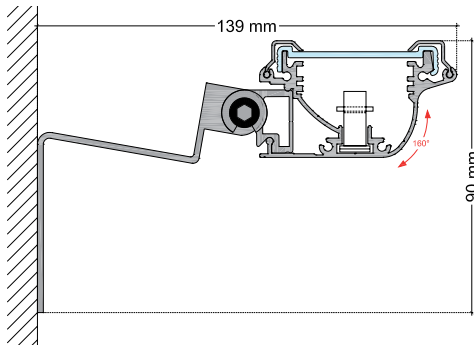


TECHNICAL DATA SHEET

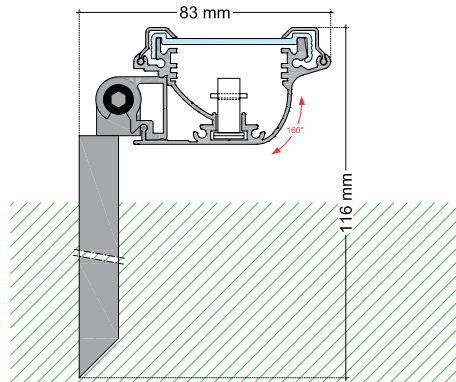
LLNAL + FLP SERIES

VERSION - 04.03.2015

FLP3

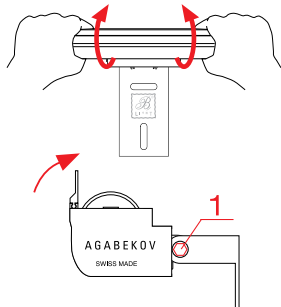


FLPJ



To unclip and clip the luminaire, lock the 'imbus' screw (1) and tilt the luminaire as shown on the drawings.

CLIP



UNCLIP

